

# INSULATION PIERCING CONNECTOR

## NU Insulation Piercing Connector



The NU insulation piercing connectors are suitable to connect main and one, two tap conductor s' of section, how is written on NU body. Type without letter B serves to connect isolated conductors, with letter B bare conductors. NU for one tap conductor is equipped with cable termination cap PCEC16/120, for two output wires – no cap.

NU consists from two glass-fiber reinforced plastic parts, which are fitted with two brass tinned teeth's, which are coated with UV-curing silica grease and the teeth are fitted with rubber insulation. This set is associated with the bolt, nut and pinch fixation segment.

The terminals marked Tare equipped with tear head. The lower part of the clamp is designed to chamber, providing optimal ventilation of NU

Its self-seam frame is wet proof, water proof, and anti-corrosive, which can prolong the using life of insulated lead and connector.

Designed for all weather applications and easy to install.

NU had passed 6KV test under water for 1 Min.

Standard: EN 50483-4, NFC 33-020, NFC 33-004

### Product Dimensions

Part NO	Main wire section	Branch wire section	Bolt	Package(pcs)	Gross weight(kg)
NU-1	10-95	1.5-10	1	500	24
NU-2	16-95	4-35	1	200	26
NU-3	50-150	6-35	1	200	27
NU-4	16-95	16-95	1	150	25.5
NU-5	35-150	35-150	1	150	27

## JBC Insulation Piercing Connector



The JBC insulation piercing connectors are applicable for all types of LV-ABC conductors as well as connections in service line system, building electrical system and street lighting system.

Designed for all weather applications and easy to install

Connections can be made live in minutes and suitable for aluminum or Copper, the body materials are UV-resistant.

The self-seam frame is wet proof, water proof, and anti-corrosive, which can prolong the using life of insulated lead and connector.

Had passed 6KV test underwater for 1 Min.

Standard: EN 50483-4, NFC 33-020, NFC 33-004

### Product Dimensions

Part NO	Main wire section	Branch wire section	Bolt	Package(pcs)	Gross weight(kg)
JBC-0	25-70	6-35	1	300	23.5
JBC-1	35-70	6-35	1	300	35
JBC-2	35-150	35-150	1	150	27
JBC-3	50-240	50-150	2	50	21

## INSULATION PIERCING CONNECTOR

### Connector



The CPB insulation piercing connectors are applicable for all types of LV-ABC.

Had passed 6KV test underwater for 1 Min.

Simple installation, small contact resistance and low temperature rise of the clamp. The body materials are UV-resistant.

Its self-seam frame is wet proof, water proof, and anti-corrosive, which can prolong the using life of insulated lead and connector.

Standard: EN 50483-4, NFC 33-020, NFC 33-004

### Product Dimensions

Part NO	Main wire section	Branch wire section	Bolt	Package(pcs)	Gross weight(kg)
CPB 25-25	10-25	10-25	1	200	23
CPB 25-70	16-70	4-25	1	200	25
CPB 70-70	16-70	16-70	1	240	33
CPB 95-95	16-95	16-95	1	200	31

### CPC Insulation Piercing Connector



The CPC insulation piercing connectors are applicable for all types of LV-ABC.

Had passed 6KV test under water for 1 Min.

Simple installation, small contact resistance and low temperature rise of the clamp. The body materials are UV-resistant.

Its self-seam frame is wet proof, waterproof, and anti-corrosive, which can prolong the using life of insulated lead and connector.

Standard: EN 50483-4, NFC 33-020, NFC 33-004

### Product Dimensions

Part NO	Main wire section	Branch wire section	Package(pcs)	Gross weight(kg)
CPC-1	AL 25-95	AL 2.5-95	200	21
CPC-2	35	2.5-35	200	22
CPC-3	70	2X(6-35)	200	20

## INSULATION PIERCING CONNECTOR

### CT Insulation Piercing Connector



The CT insulation piercing connectors are applicable for the low voltage aerial cables.

Connection of main line is established by insulation piercing without stripping of insulation.

Connection of tap line is established by insert tap conductor into the bore after stripping of insulation.

Shear head bolts applied for both connections.

Equipped with insulating cover which also has excellent waterproof feature

Standard: EN 50483-4, NFC 33-020

#### Product Dimensions

Part NO	Main wire section	Branch wire section	Package(pcs)	Gross weight(kg)
CT-70	16-70	1.5-35	200	21
CT-150	50-150	4-50	100	22

### 2D55 Insulation Piercing Connector



The 2D55 insulation piercing connectors are applicable for all types of LV-ABC.

Had passed 6KV test under water forl Min.

Simple installation, small contact resistance and low temperature rise of the clamp. The body materials are UV-resistant.

Its self-seam frame is wet proof, water proof, and anti-corrosive, which can prolong the using life of insulated lead and connector.

Standard: EN 50483-4, NFC 33-020, NFC 33-004

#### Product Dimensions

Part NO	Main wire section	Branch wire section	Package(pcs)	Gross weight(kg)
2D55	35-95	2×2.5-35	200	23

# PARALLEL GROOVE CLAMP

## CAPG Parallel Groove Clamp

The CAPG parallel groove clamps are designed to connect aluminium conductors and copper conductors.

Advanced forging technology enhances the mechanical strength of the clamp.

Special designed screw hole and arc shape of the body allow clamp to adjust to different cable size on each side

Materials of bolt and nut are optional depend on customer request. Options including Hot-dip galvanized steel and stainless steel

Pressure pad is applied to achieve uniform pressure along the clamp



## Product Dimensions

Part NO	Size(mm <sup>2</sup> )	Sort	Package(pcs)	Gross weight(kg)
CAPG-A1	Cu 6-50 Al16-70	Single bolt	240	16
CAPG-A2	Cu 10-95Al 25-150	Single bolt	300	25
CAPG-B1	Cu 6-50 Al16-70	Double bolt	200	23.5
CAPG-B2	Cu 10-95 A125-150	Double bolt	240	34.5
CAPG-B3	Cu 25-185 Al 35-240	Double bolt	120	35.5
CAPG-C1	Cu 6-50 A116-70	Tri-bolt	150	25.5
CAPG-C2	Cu 10-95 A1 25-150	Tri-bolt	150	32
CAPG-C3	Cu 25-185 A135-240	Tri-bolt	64	27
CAPG-C4	Cu 35-240 Al 35-300	Tri-bolt	48	27.5

# PARALLEL GROOVE CLAMP

## APG ParallelGroove Clamp

The APG parallel groove clamps are designed to connect two aluminium conductors.

Advanced forging technology enhances the mechanical strength of the clamp.

Specialdesigned screw hole and arc shape ofthe body allow clamp to adjust to different cable size on each side.

Clamp bodyis made ofaluminium with excellentelectricalconductivity

Gross-grooved clamp channels enhance both mechanical pullout strength and electrical conductivity.

Materials of bolt and nut are optionaldepend on customer request. Options including Hot-dip galvanized steel and Stainless steel

Pressure pad is applied to achieve uniform pressure along the clamp



## Product Dimensions

Part N0	Size(mm <sup>2</sup> )	Sort	Package(pcs)	Gross weight(kg)
APG-A1	A116-70	Single bolt	300	16
APG-A2	Al16-150	Single bolt	300	25
APG-B1	Al 6-35	Double bolt	360	17
APG-B2	A116-70	Double bolt	200	23.5
APG-B3	Al16-150	Double bolt	240	34.5
APG-B4	Al 25-240	Double bolt	120	35.5
APG-C1	A116-70	Tri bolt	150	25.5
APG-C2	Al16-150	Tri-bolt	150	32
APG-C3	Al 25-240	Tri-bolt	64	27
APG-C4	Al 35-300	Tri-bolt	48	27.5

## PMR Cable Connector

The PMR cable connectors are applicable for all types of LV-ABC.



## Product Dimensions

Part N0	Cross section(mm <sup>2</sup> )	Package(pcs)	Gross weight(kg)
RMR24	Al 10-35 Cu 1.5-25	100	6
RMR26	Al 10-35 Cu 1.5-25	100	8.5

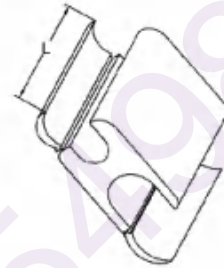
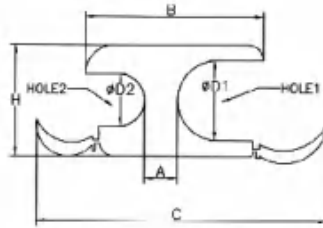
## PARALLEL GROOVE CLAMP

### AS-H Type Aluminium Cable Clamp

The AS-H type aluminium cable clamp is suitable for branching identical cross-sections and no need to split the main conductor.

Connector can be gripped in tool and slipped over line for easier and faster installation.

Massive aluminum design minimizes corrosion due to galvanic corrosion.



### Product Dimensions

Part NO	Hole1 (mm <sup>2</sup> )	D1	Hole2 (mm <sup>2</sup> )	D2	A(mm)	B(mm)	C(mm)	H(mm)	L(mm)	Weight(g)
AS-H 1	16-35	4.8-8.2	16-35	4.8-8.2	7.1	24.3	41	15	38.3	30
AS-H 2	50-95	8.3-14.0	16-50	4.8-9.6	13	36.6	60	22.5	48.3	72
AS-H 3	50-95	10.0-14.0	50-95	10.0-14.0	5.4	36.4	63	22.3	60.5	73.7
AS-H 4	95-240	13.0-22.4	16-70	4.8-11.4	14.3	50.5	80.4	30	60.5	151.3
AS-H 5	95-240	13.0-22.4	70-150	11.6-16.0	9.4	50	83.5	32	60	159.1
AS-H 6	15-240	16.2-22.4	150-240	16.2-22.4	5.1	50.5	90.6	30.3	90	193.3

### CTO Type Aluminium Connector

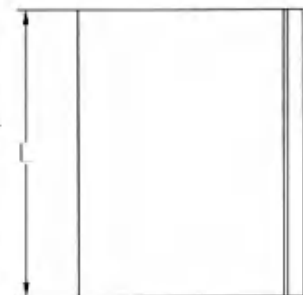
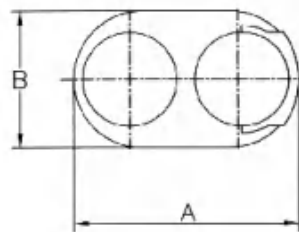
The CTO type aluminium connector is suitable for branching identical cross-sections and no need to split the main conductor.

Massive aluminum design minimizes corrosion due to galvanic corrosion.

Constrains conductors while installer completes crimp.

Conductors are separated by the shape of the connector.

Simplifies installation can reduce installed cost.



### Product Dimensions

Part NO	Hole1 (mm <sup>2</sup> )	Hole2 (mm <sup>2</sup> )	Dimensions			Package(pcs)	Gross weight (kg)
			A(mm)	B(mm)	L(mm)		
CTO-1	50-70	50-70	32.5	17.8	45	300	15
CTO-2	50-70	70-150	37	24.7	61	180	11.5
CTO-3	50-70	150-240	47	30	60.6	150	9
CTO-4	70-150	70-150	43.5	25	60	96	8
CTO-5	70-150	150-240	47	30	60.5	96	11
CTO-6	150-240	150-240	50	30	65	96	12

# PRE-INSULATED LUG AND CONNECTOR

## DTL-4 Pre-insulated Bimetal Lug

The DTL-4 pre-insulated bimetal lug is used to establish connection between LV-ABC cable and electrical equipments.

Palm is made of 99.9% pure copper and sleeve is made of 99.6% pure aluminium.

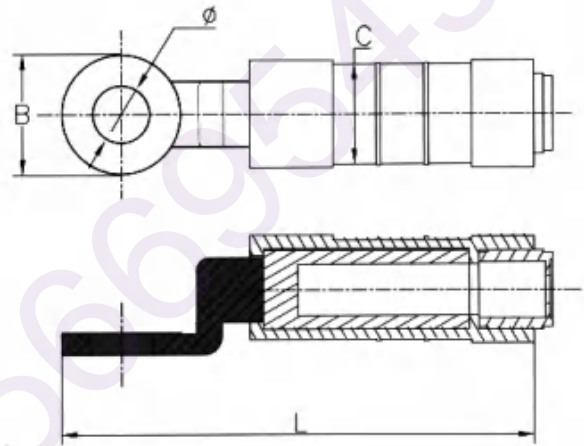
Cross-section of conductor can be easily identified by the color code of elastomeric rings

Elastomeric ring and pre-filled grease enable super waterproof performance

Watertightness test carried out at 6kV for 1 minute under water

Insulation tube is made of weather and UV resistant polymer

Standard: EN 50483-4 , NFC 33-021



## Product Dimensions

Part NO	$\Phi$	C	B	L	Color code	Package (pcs)	Gross weight (kg)
DTL-4 16-10	10.5	16	20	75	Blue	200	8
DTL-4 25-12	13	16	24	100	Orange	200	16
DTL-4 35-12	13	20	24	100	Red	200	15.5
DTL-4 50-12	13	20	24	100	Yellow	200	15.5
DTL-4 54.6-12	13	20	24	100	Black	200	14
DTL-4 70-12	13	20	24	100	White	200	14.5
DTL-4 95-12	13	20	24	100	Grey	200	14
DTL-4120-12	13	25/28	30	118	Pink	200	15
OTL-4150-12	13	25/28	30	118	Violet	200	15

## PRE-INSULATED LUG AND CONNECTOR

### NULG pre-insulated connector

The NULG pre-insulated connector is designed for service and lighting cables.

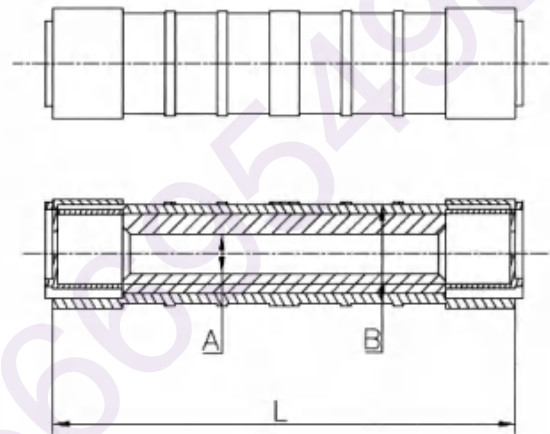
Cross-section of conductor can be easily identified by the color code of rings

Elastomeric ring and pre-filled grease enable superwaterproof performance

Watertightness test carried out at 6kV for 1 minute underwater

Insulation tube is made of weather and UV resistant polymer

Standard: EN 50483-4 , NFC 33-021



### Product Dimensions

Part N0	Cable Size(mm <sup>2</sup> ) A	Plastic sleeve Diameter(mm) B	Length L	Package (pcs)	Gross weight (kg)
NULG 16/16	16	16	70.5	200	5.5
NULG 25/25	25	16	70.5	200	7.5
NULG 35/35	35	20	98.5	200	12
NULG 50/50	50	20	98.5	200	12
NULG 70/70	70	20	98.5	200	10
NULG 95/95	95	20	98.5	200	10

## PRE-INSULATED LUG AND CONNECTOR

### MJPTN Pre-insulated Bimetal Lug

The MJPTN pre-insulated connectors are designed for LV-ABC systems with a neutral messenger. The MJPTN is used on the neutral conductor.

Stripping of cable insulation is required before insertion

Cross-section of conductor can be easily identified by the color code of rings

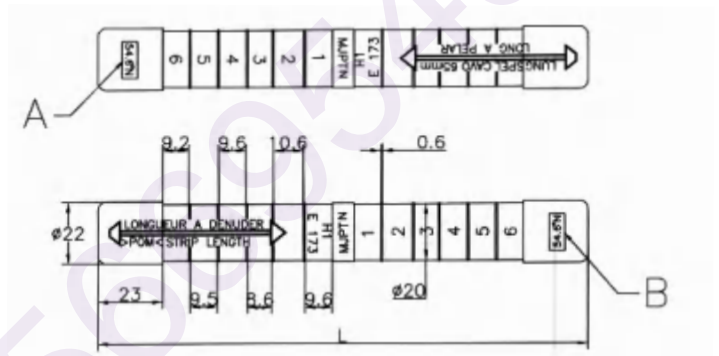
Elastomeric ring and pre-filled grease enable super waterproof performance

Pre-filled with jointing compound

Watertightness test carried out at 6kV for 1 minute underwater

Insulation tube is made of weather and UV resistant polymer

Standard: EN 50483-4 , NFC 33-021



### Product Dimensions

Part N0	Cable Size(mm <sup>2</sup> )		Length L	Package (pcs)	Gross weight (kg)
	A	B			
MJPTN 54.6/54.6	54.6	54.6	174	200	15
MJPTN 54.6/70	54.6	70	174	200	15.5
MJPTN 70/70	70	70	174	200	17
MJPTN 95/95	95	95	174	200	17.5

## FUSE LINK AND EARTHING ADAPTER

### CCFBD Earthing Adapter



The CCFBD removable fuse link is used to integrate a break point on LV-ABC lines.

Connection and disconnection underload up to 60A

Possibility to insert 22x58AD fuse cartridges from 4 to 125A

Tested for watertightness at a voltage of 6kV under water

Sealing cup attached to the body

The body is made of weather resistant material

Standard: CCFBD: EN50483-4 & NFC33020

Fuse: IEC269-2 & NFC63210

### Product Dimensions

Part N0	Conductor(mm)	Breaking load	Package (pcs)	Gross weight (kg)
CCFBD16-6	16/6	0.3KN	100	14
CCFBD16-16	16	0.3KN	100	13
CCFBD25-10	25/10	0.3KN	100	14
CCFBD25-25	25	0.3KN	100	14

### CMCC Earthing Adapter



The CMCC adapters are used for short-circuiting and earthing of LV-ABC.

The adapter is installed on the tap-off side of an insulation piercing connector.

The connection to earth is done by an insulated earthing equipment.

Insulation is made of weather resistant material and contact stud is made of brass

Watertightness tests carried out at the voltage of 6kV underwater

Standard: NFC 33-020

### Product Dimensions

Part N0	Cross section (mm <sup>2</sup> )	Package (pcs)	Gross weight (kg)
CMCC	16-95	200	22

## DEAD END CLAMP

### PAA-235 & PAA-35 Dead End Clamp



The PAA-235 and PAA-35 Dead End Clamp are used to push, pull and fix the self-supporting insulated cable.

It is suitable for the overhead power lines, electric transmission line (illuminating circuits, urban traffic electric network or the building whose space is less than 100m.)

The clamp is made of aluminum alloy, galvanized steel and

UV-resistant polymeric material.

No special tools are required.

### Product Dimensions

Part NO	Cross section (mm <sup>2</sup> )	Material	Conductor(mm)	Breaking load	Package (pcs)	Gross weight (kg)
PAA-235	16-25	Nylon, Steel	3-6	3KN	100	12
PAA-35	16-35	Nylon, Steel	3-7	5KN	100	12

### PAA-25&PAA-50 Dead End Clamp



The PAA-25&PAA-50 Dead End Clamps are used to push, pull and fix the self-supporting insulated cable.

It is suitable for the overhead power lines, electric transmission line (illuminating circuits, urban traffic electric network or the building whose space is less than 100m.)

The clamp is made of aluminum alloy, galvanized steel and UV-resistant polymeric material.

No special tools are required.

### Product Dimensions

Part NO	Material	Conductor(mm)	Breaking load	Package (pcs)	Gross weight (kg)
PAA-25	Nylon, Steel	3-7	7KN	100	20
PAA-50	Nylon, Steel	6-10	10KN	100	22

## DEAD END CLAMP

### PA Dead End Clamp



The PA Dead End Clamps are designed to anchor insulated service lines with 2 conductors.

The body is made of corrosion-resisting aluminum alloy, automatic adjustment wedge is made of special polymer material, no change when exposure to ultraviolet light.

Tool free installation with wedges sliding inside the body, easy to open bail permits fixing to brackets and pigtails.

The clamp is made of weather resistant polymer, reinforced thermo-plastic UV resistant cover.

### Product Dimensions

Part NO	Cross section (mm <sup>2</sup> )	Material	Conductor(mm)	Breaking load	Package (pcs)	Gross weight (kg)
PA2/35	2 × (16–35)	Nylon, Steel	3–6	6.5KN	100	9.5
PA4–35	4 × (16–35)	Nylon, Steel	3–6	8KN	100	10

### JBH Dead End Clamp



The JBH Dead End Clamp is used for the anchoring of the uninsulated messengers by means of hooks to either a pole or a wall.

The clamp has no loose parts.

Material: High strength aluminium alloy

### Product Dimensions

Part NO	Cross section (mm <sup>2</sup> )	Breaking load	Package (pcs)	Gross weight (kg)
JBH–1	16	4KN	100	20
JBH–2	25	6KN	100	21
JBH–3	35	9.3KN	100	22
JBH–4	50	13.2KN	100	23
JBH–5	70	15KN	100	24

## NF Single-core UV Protect Anchor Clamp

The NF UV Protect Anchor Clamp is designed for a fast, easy and reliable dead-ending of fiber optic cables on access networks with spans up to 100 m,



A pair of wedges grips the cable automatically within the conical body.

The installation does not require any specific tools and the operating time is drastically reduced.

Standard: NFC33-042

### Product Dimensions

Model	Conductor(mm)	Breaking load	Package (pcs)	Gross weight (kg)
NF037	3-7	5KN	100	10
NF068	6-8	5KN	100	12
NF0810	8-10	5KN	100	13

## NF Single-core UV Protect Anchor Clamp

The NF UV Protect Anchor Clamp is designed for a fast, easy and reliable dead-ending of fiber optic cables on access networks with spans up to 100 m.



A pair of wedges grips the cable automatically within the conical body.

The installation does not require any specific tools and the operating time is drastically reduced.

Standard: NFC33-042

### Product Dimensions

Model	Conductor(mm)	Breaking load	Package (pcs)	Gross weight (kg)
NF01012	10-12	8KN	100	20
NF01214	12-14	8KN	100	21.5
NF01416	14-16	8KN	100	22
NF01618	16-18	8KN	100	24
NF01820	18-20	8KN	100	25

## ANCHOR CLAMP

### PAG Single-core Anchor Clamp

The PAG Anchor clamp is used to fix the line at the end bracket.

The body of the clamp is made of special polymer material, no change when exposure to ultraviolet light. The body materials are UV-resistant.

It can fix the wire firmly and doesn't affect the insulation.

No tools are required.

Standard: NFC33-042



### Product Dimensions

Part NO	Cross section (mm <sup>2</sup> )	Material	Conductor(mm)	Breaking load	Package (pcs)	Gross weight (kg)
PAG-500	16-25	Nylon, Steel	6-9	6KN	100	16
PAG-1500	50-70	Nylon, Steel	9-12	10KN	50	21
PAG-2000A	70-95	Nylon, Steel	10-13	15KN	50	27
PAG-2000B	70-95	Nylon, Steel	10-13	15KN	50	27

### PAN Single-core Anchor Clamp

The PAN Anchor clamp is used to fix the end of inside line, also suitable for insulated LV-ABC cable and multiple conductors.

It is made of high strength PA66, nylon plus fiber glass, stainless steel. The body materials are UV-resistant.

It is characterized by high mechanical stability, reduced dimensions for easier handling, high mechanical and climatic resistance.

Tool free installation with wedges sliding inside the body, easy to open bail permits fixing to brackets and pigtails.

Standard: NFC 33-042



### Product Dimensions

Part NO	Cross section (mm <sup>2</sup> )	Material	Conductor(mm)	Breaking load	Package (pcs)	Gross weight (kg)
PAN	50-70	Nylon, Steel	12-14	10KN	100	15

# ANCHOR CLAMP

## PA-258 2-core Anchor Clamp

The PA-25B Anchor clamp is designed for service line with 2 or 4 conductors.

Clamp body is made of high mechanical strength and weather resistant insulation material

Special designed clip is used to prevent the bail slipping from the body

Tool free installation

Standard: NFC33-042



## Product Dimensions

Part NO	Cross section (mm <sup>2</sup> )	Material	Conductor(mm)	Breaking load	Package (pcs)	Gross weight (kg)
PA-25B	2x(16-25)	Nylon, Steel	4-8	2KN	100	12

## PAB 2-core Anchor Clamp

The PAB Anchor clamp is used to fix the end of inside line, also suitable for insulated LV-ABC cable and multiple conductors.

It made of high strength PA66, nylon plus fiber glass, stainless steel. The body materials are UV-resistant.

It is characterized by high mechanical stability, reduced dimensions for easier handling, high mechanical and climatic resistance.

Tool free installation with wedges sliding inside the body, easy to open bail permits fixing to brackets and pigtails.

Standard: NFC 33-042



## Product Dimensions

Part NO	Cross section (mm <sup>2</sup> )	Material	Conductor(mm)	Breaking load	Package (pcs)	Gross weight (kg)
PAB	2x(16-25)	Nylon, Steel	6-10	2.5KN	100	13

# ANCHOR CLAMP

## Pa25 2-core Anchor Clamp



The Pa25Anchor clamp is designed for service line with 2 or4 conductors.

Clampbody is made of high mechanical strength and weather resistant insulation material

Special designed clip is used to prevent the bail slipping from the body

Tool free installation

Standard: NFC33-042

## Product Dimensions

Part NO	Cross section (mm <sup>2</sup> )	Material	Conductor(mm)	Breaking load	Package (pcs)	Gross weight (kg)
PA25	2x(16-25)	Nylon, Steel	4-8	2KN	100	13

## PAD-25 4-core Anchor Clamp



The PAD-25Anchor clamp is used to fix the end of inside line, also suitable for insulated LV-ABC cable and multiple conductors.

It made of high strength PA66, nylon plus fiber glass, stainless steel, The body materials are UV-resistant.

It is characterized by high mechanical stability, reduced dimensions for easier handling, high mechanical and climatic resistance.

Tool free installation with wedges sliding inside the body, easy to open bail permits fixing to brackets and pigtails.

Standard: NFC 33-042

## Product Dimensions

Part NO	Cross section (mm <sup>2</sup> )	Material	Conductor(mm)	Breaking load	Package (pcs)	Gross weight (kg)
PAD-25	4x(16-25)	Nylon, Steel	4-8	2KN	100	13.5

# ANCHOR CLAMP

## PAC-25 4-core Anchor Clamp



The PAC-25 Anchor clamp is used to fix the end of inside line, also suitable for insulated LV-ABC cable and multiple conductors.

It made of high strength PA66, nylon plus fiber glass, stainless steel. The body materials are UV-resistant.

Tool free installation with wedges sliding inside the body, easy to open bail permits fixing to brackets and pigtails.

Standard: NFC 33-042

### Product Dimensions

Part NO	Cross section (mm <sup>2</sup> )	Material	Conductor(mm)	Breaking load	Package (pcs)	Gross weight (kg)
PAC-25	2x(16-25)	Nylon, Steel	4-8	2KN	100	11

## PAR20 2-core Anchor Clamp



The PAR20 Anchor clamp is used to fix the end of inside line, also suitable for insulated LV-ABC cable and multiple conductors.

It made of high strength PA66, nylon plus fiber glass, stainless steel. The body materials are UV-resistant.

Cable gripping device in insulating material ensures the double insulation of the neutral core and avoids damage to sheath, secured parts.

No tools required.

Standard: NFC 33-042

### Product Dimensions

Part NO	Cross section (mm <sup>2</sup> )	Material	Conductor(mm)	Breaking load	Package (pcs)	Gross weight (kg)
PAR20	2x(16-35)	Nylon, Steel	10-16	2.5KN	200	19

## ANCHOR CLAMP

### PAR21 Anchor Clamp



The PAR21 Anchor clamp is used to fix the end of inside line, also suitable for insulated LV-ABC cable and multiple conductors.

It made of high strength PA66, nylon plus fiber glass, stainless steel. The body materials are UV-resistant.

Cable gripping device in insulating material ensures the double insulation of the neutral core and avoids damage to sheath, secured parts.

No tools required.

Standard: NFC 33-042

### Product Dimensions

Part NO	Cross section (mm <sup>2</sup> )	Material	Conductor(mm)	Breaking load	Package (pcs)	Gross weight (kg)
PAR21	2x4/4x25	Nylon, Steel	4-19	2.5KN	200	20

## COLLECTION TENSION CLAMP

### PAC 2 or 4-core Collection Tension Clamp



The PAC Collection tension clamp is used to fix the two-core and four-core self-supporting insulated wire which have the same cross section.

The clamp is made of dielectric material, which has insulation.

The body materials are UV-resistant,

All parts are wedges and special spanner is needed

### Product Dimensions

Part NO	Cross section (mm <sup>2</sup> )	Conductor(mm)	Breaking load	Package (pcs)	Gross weight (kg)
PAC-235	2x(16-25)	4-8	6KN	50	9
PAC-435	4x(16-25)	4-8	8KN	50	10.5

### PAD 4-core Collection Tension Clamp



The PAD Collection tension clamp is applicable to service line system. This clamp is designed to anchoring and suspending insulated service line with 2 or 4 conductors onto poles or walls.

The clamp complete the transformation between anchoring clamps and supporting clamps by adjusting bolt.

The surface is special which can guarantee fastness, skid resistance and insulation

The body materials are UV-resistant.

### Product Dimensions

Part NO	Cross section (mm <sup>2</sup> )	Conductor(mm)	Breaking load	Package (pcs)	Gross weight (kg)
PAD-435	4x(16-25)	4-11	15KN	50	22

## COLLECTION TENSION CLAMP

### PAT 4-core Collection Tension Clamp

The PAT Collection tension clamp is applicable to four core self-supporting LV- ABC system. It is used for anchoring and tightening insulated conductors

Strong springs are applied between wedges which facilitates the insertion of conductors

Clamp is made of weather resistant material and hot-dip galvanized steel



### Product Dimensions

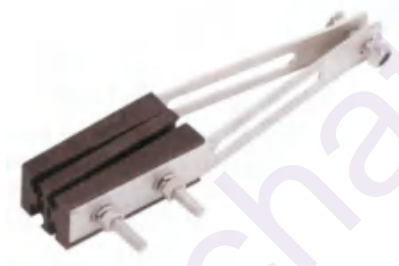
Part NO	Cross section (mm <sup>2</sup> )	Conductor(mm)	Breaking load	Package (pcs)	Gross weight (kg)
PAT-50	2x(35-50)	11-14	20KN	20	20
PAT-95	4x(70-95)	14-16	20KN	25	22

### PAT-H 4-core Collection Tension Clamp

The PAT-H Collection tension clamp is applicable to four core self-supporting LV- ABC system. It is used for anchoring and tightening insulated conductors

Strong springs are applied between wedges which facilitates the insertion of conductors

Clamp is made of weather resistant material and hot-dip galvanized steel.



### Product Dimensions

Part NO	Cross section (mm <sup>2</sup> )	Breaking load	Package (pcs)	Gross weight (kg)
PAT-50H	4x(16-50)	20KN	20	20
PAT-95H	4x(50-120)	30KN	25	22

## COLLECTION TENSION CLAMP

### NES 4-core Collection Tension Clamp



The NES Collection tension clamp are applicable to four core self-supporting LV- ABC system. It is used for anchoring and tightening insulated conductors

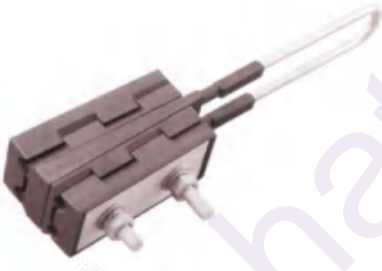
Strong springs are applied between wedges which facilitates the insertion of conductors

Clamp is made of weather resistant material and hot-dip galvanized steel.

### Product Dimensions

Part NO	Cross section (mm <sup>2</sup> )	Breaking load	Package (pcs)	Gross weight (kg)
NES-B1	4x(25-50)	20KN	20	20
NES-B2	4x(50-120)	30KN	25	23

### PAR 4-core Collection Tension Clamp



The PAR Collection tension clamps are used to fix the self-support insulated wire of the four-wire cable.

The clamp is insulated that can be fixed in the bracket or hook through the only bolt.

The wedge-shaped clamps always adjust automatically and the spring reduce the difficulty of installation

The body materials are UV-resistant

### Product Dimensions

Part NO	Cross section (mm <sup>2</sup> )	Conductor(mm)	Breaking load	Package (pcs)	Gross weight (kg)
PAR-50	4x(25-50)	10-12	15KN	20	20
PAR-120	4x(50-120)	11-17	30KN	20	20

## SUSPENSION CLAMP

### PT Suspension Clamp



The PT suspension clamp is designed for the installation and suspension of four core self-supporting LV-ABC cables to poles or walls.

The clamp is made of hot dip galvanized steel, equipped with a wing nut and high deviation angle up to 60°

No loose parts

Standard: VDE 0211

### Product Dimensions

Part NO	Material	Conductor(mm)	Breaking load	Package (pcs)	Gross weight (kg)
PT-1	Nylon, Steel	8-12	12KN	100	32
PT-2	Nylon, Steel	10-15	12KN	100	33
PT-3	Nylon, Steel	15-20	12KN	100	35

### PTB Suspension Clamp



The PTB suspension clamp is designed for the installation and suspension of four core self-supporting LV-ABC cables to poles or walls.

The clamp is made of hot-dip galvanized steel and weather resistant material

Equipped with shear head bolt. The clamp can be easily installed without damage to the cable insulation

No loose parts

Standard: EN 50483-2

### Product Dimensions

Part NO	Cross section (mm <sup>2</sup> )	Breaking load	Package (pcs)	Gross weight (kg)
PTB4x25	25	8KN	100	37
PTB4x35	35	8KN	100	36
PTB4x50	50	8KN	100	36
PTB4x70	70	10KN	100	58
PTB4x95	95	10KN	100	51
PTB4x120	120	10KN	100	54

## SUSPENSION CLAMP

### ES-14 Suspension Set



The ES-14 Suspension Set is used to hang LV-ABC cables on poles with the insulated neutral messenger.

It can be paired with all hooks and brackets, which are not affected by UV, weather and climate.

The anchoring bracket is made of corrosion resistant aluminium alloy

The clamp and movable link is made of weather resistant and mechanically reliable insulated polymer

Hang the self-supporting insulated wire on the bracket with maximum angle of 60 degrees.

Standard: NFC 33-040, EN 50483-3

### Product Dimensions

Part NO	Cross section (mm <sup>2</sup> )	Conductor(mm)	Breaking load	Package (pcs)	Gross weight (kg)
ES-14	25-95	5-14	8KN	50	19

### ES-15 Suspension Set



The ES-15 Suspension Set is used to hang LV-ABC cables on poles with the insulated neutral messenger.

It can be paired with all hooks and brackets, which are not affected by UV, weather and climate.

The anchoring bracket is made of corrosion resistant aluminium alloy

The clamp and movable link is made of weather resistant and mechanically reliable insulated polymer

Hang the self-supporting insulated wire on the bracket with maximum angle of 60 degrees.

Standard: NFC 33-040, EN 50483-3

### Product Dimensions

Part NO	Cross section (mm <sup>2</sup> )	Conductor(mm)	Breaking load	Package (pcs)	Gross weight (kg)
ES-15	16-95	-	10KN	50	25

## SUSPENSION CLAMP

### PTC Suspension Clamp



The PTC suspension clamp is designed for the installation and suspension of four core LV-ABC cables to poles or walls.

For straight lines and angles up to 90°

No tools are needed for installation, equipped with a wing nut

The clamp is made of corrosion resistant aluminium alloy and weather resistant material

No loose parts

Standard: EN 50483-2

### Product Dimensions

Part N0	Cross section (mm <sup>2</sup> )	Breaking load	Package (pcs)	Gross weight (kg)
PTC-1	2x25-4x120	40KN	100	32
PTC-2	4x(50-120)	15KN	100	33

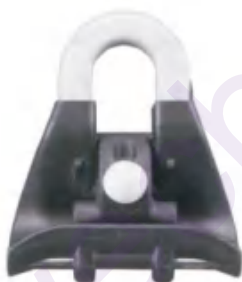
### 95A,95B,95C Suspension Clamp

The 95A,95B,95C suspension clamps are used to hang LV-ABC cables on poles with the insulated neutral messenger.

Cutting section is universal, and insulated line is fixed by nut. The part connecting the wire is made of dielectric material.

Hanging the self-supporting insulated wire on the bracket with maximum angle of 90 degrees.

Standard: EN 50483-4 , NFC 33-040



95A



95B



95C

### Product Dimensions

Part N0	Cross section (mm <sup>2</sup> )	Conductor(mm)	Breaking load	Package (pcs)	Gross weight (kg)
95A	25-95	7.5-16.5	10KN	50	15
95B	25-95	7.5-16.5	15KN	50	13
95C	25-95	7.5-16.5	12KN	100	15

## SUSPENSION CLAMP

### PSP,PSPB,PSPC Suspension Clamp

The PSP, PSPB,PSPC suspension clamps are suitable for connection or suspension between the two-core and four core self-supporting insulated wire.

The clamp complete the transformation between anchoring clamps and supporting clamps by adjusting bolt.

The surface is special which can guarantee fastness, skid resistance and insulation

The body materials are UV-resistant.



PSP



PSPB



PSPC

### Product Dimensions

Part N0	Cross section (mm <sup>2</sup> )	Conductor(mm)	Breaking load	Package (pcs)	Gross weight (kg)
PSP25-120	2x(25-35)-4x(16-120)	12-42	8KN	100	18
PSPB	2x(25-35)-4x(16-120)	12-42	6KN	100	20
PSPC	2x(25-35)-4x(16-120)	12-42	8KN	100	20

### NUPS54 Suspension Clamp

The NUPS54 Suspension Clamp is suitable for connection or suspension between the two-core and four-core self-supporting insulated wire.

The clamp complete the transformation between anchoring clamps and supporting clamps by adjusting bolt.

The surface is special which can guarantee fastness, skid resistance and insulation

The body materials are UV-resistant.

Standard: EN 50483-4 , NFC 33-040



### Product Dimensions

Part N0	Cross section (mm <sup>2</sup> )	Conductor(mm)	Breaking load	Package (pcs)	Gross weight (kg)
NUPS54	25-95	7.5-15.5	12KN	100	18

## SUSPENSION CLAMP

### LM Suspension Clamp



The LM Suspension Clamp is suitable for connection or suspension between the two-core and four-core self-supporting insulated wire.

The clamp complete the transformation between anchoring clamps and supporting clamps by adjusting bolt.

The surface is special which can guarantee fastness, skid resistance and insulation

The body materials are UV-resistant.

Standard: EN 50483-4 , NFC 33-040

### Product Dimensions

Part NO	Cross section (mm <sup>2</sup> )	Conductor(mm)	Breaking load	Package (pcs)	Gross weight (kg)
LM1500	25-95	7.5-15.5	10KN	40	8.5

### HD Wall Fitting for Self Support Insulated wire

The H D series wall fitting for self-support insulated wire is used to fix the self-support insulated wire into the wall.

These clamps are made of UV resistant polymeric material, which is not affected by weather and climate.

Easy to install in the slot of the building and fixed by the metal nail.



### Product Dimensions

Part NO	Conductor(mm)	Package (pcs)	Gross weight (kg)
HD-0	5-50	250	12
HD-1	14.5-50	250	13
HD-2	10-45	100	13
HD-3	18-55	100	11

## SUSPENSION CLAMP

### HE Wall Fitting for Self Support Insulated wire



The HE series wall fitting for self-support insulated wire is used to fix the self-support insulated wire into the wall.

These clamps are made of UV resistant polymeric material, which is not affected by weather and climate.

Easy to install in the slot of the building and fixed by the metal nail.

Standard: NFC 33-042

### Product Dimensions

Part N0	Conductor(mm)	Breaking load	Package (pcs)	Gross weight (kg)
HE	12-47	0.2KN	100	5

### BIC Suspension Clamp



The BIC is used to fix LV-ABC cables to poles or walls.

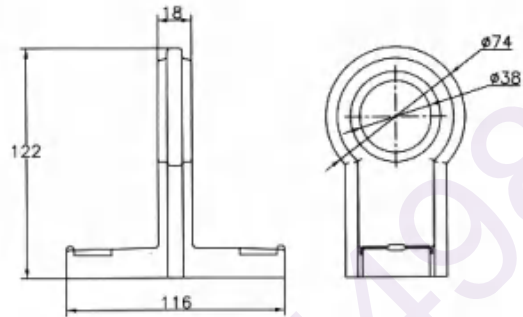
### Product Dimensions

Part N0	Conductor(mm)	Breaking load	Package (pcs)	Gross weight (kg)
BIC	50-90	0.4KN	100	3

## HOOK,BRACKET,STEEL STRAP AND ACCESSORIES

### CSDY10 Round Aluminum Bracket

The anchor bracket is designed for LV-ABC cables.



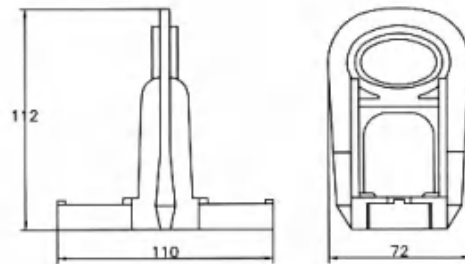
### Product Dimensions

Part NO	Breaking load	Package (pcs)	Gross weight (kg)
CSDY10	15KN	50	15

### CS-10 Hook

The CS-10 hook is used to fix the anchor clamp in metal, steel, wooden pillar or the wall of building.

It is made of corrosion-resisting aluminium alloy



### Product Dimensions

Part NO	Breaking load	Package (pcs)	Gross weight (kg)
CS10	12KN	50	10

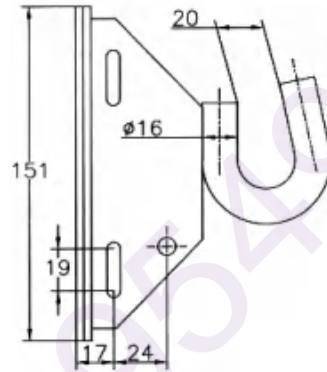
# HOOK,BRACKET,STEEL STRAP AND ACCESSORIES

## 96A Hook

The 96A hook is designed for insulated aerial cables or service line.

The hook is made of galvanized steel.

Installation by mounting the hook onto a pole by using band and buckles.



### Product Dimensions

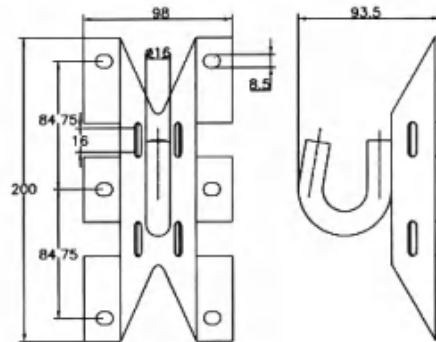
Part N0	Breaking load	Diameter	Package (pcs)	Gross weight (kg)
96A	18KN	16	50	13

## 96B Hook

The 96B hook is designed for insulated aerial cables or service line.

The hook is made of galvanized steel.

Installation by mounting the hook onto a pole by using band and buckles.



### Product Dimensions

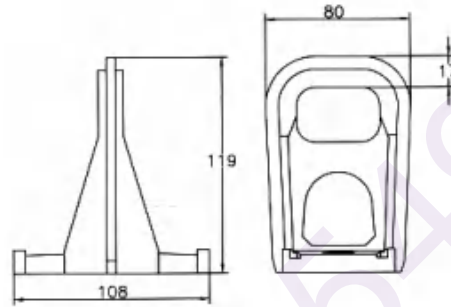
Part N0	Breaking load	Diameter	Package (pcs)	Gross weight (kg)
96B	18KN	16	50	35

# HOOK,BRACKET,STEEL STRAP AND ACCESSORIES

## CS-F1 Hook

The CS-F1 hook is used to fix the anchor clamp in metal, steel, wooden pillar or the wall of building.

It is made of corrosion-resisting aluminium alloy



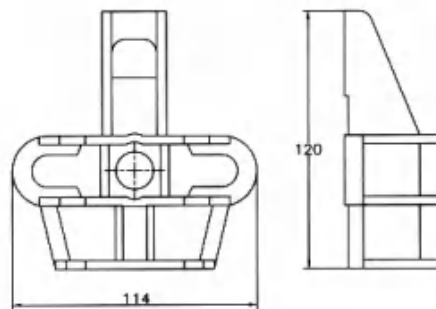
### Product Dimensions

Part NO	Breaking load	Package (pcs)	Gross weight (kg)
CSF1	15KN	50	8

## CS-1200 Hook

The CS-1200 hook is used to fix the anchor clamp in metal, steel, wooden pillar or the wall of building.

It is made of corrosion-resisting aluminium alloy



### Product Dimensions

Part NO	Breaking load	Package (pcs)	Gross weight (kg)
CS1200	15KN	100	23

## HOOK,BRACKET,STEEL STRAP AND ACCESSORIES

### CS-1500 Hook

The CS-1500 hook is used to fix the anchor clamp in metal, steel, wooden pillar or the wall of building.

It is made of corrosion-resisting aluminium alloy



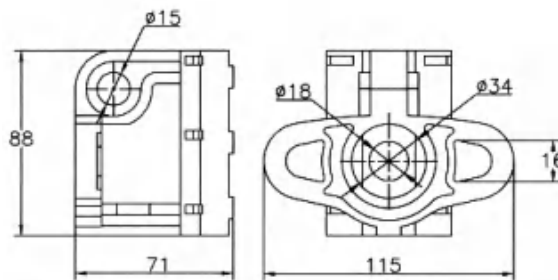
### Product Dimensions

Part NO	Breaking load	Package (pcs)	Gross weight (kg)
CS1500	10KN	50	16

### CS-1300 Hook

The CS-1300 hook is used to fix the anchor clamp in metal, steel, wooden pillar or the wall of building.

It is made of corrosion-resisting aluminium alloy



### Product Dimensions

Part NO	Breaking load	Package (pcs)	Gross weight (kg)
Cs1300	15KN	50	20

## HOOK,BRACKET,STEEL STRAP AND ACCESSORIES

### CS-X1 Hook



The CS-X1 hook is used to fix the anchor clamp in metal, steel, wooden pillar or the wall of building.

It is made of corrosion-resisting aluminium alloy

### Product Dimensions

Part NO	Breaking load	Package (pcs)	Gross weight (kg)
CSX1	15KN	100	16

### CAB25 Stainless Steel Anchor Bracket



The CAB25 Stainless Steel Anchor Bracket is designed for pulling in overhead cables.

It is used for straight lines and small angles up to 30.

### Product Dimensions

Part NO	Material	Breaking load	Package (pcs)	Gross weight (kg)
CAB25	Stainless Steel	2KN	100	2

## HOOK,BRACKET,STEEL STRAP AND ACCESSORIES

### MT Wire Stringing Wheel

The MT wire stringing wheel is designed for pulling in overhead cables.  
It is used for straight lines and small angles up to 30°.

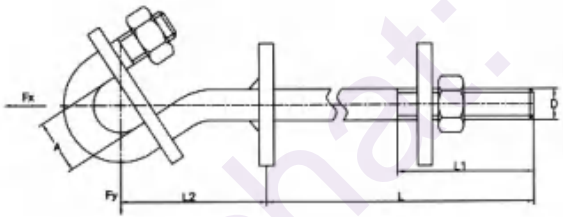


### Product Dimensions

Part N0	Material	Breaking load	Package (pcs)	Gross weight (kg)
MT-26-50-30	Nylon	20KN	10	16

### SOT101,1& SOT101.2

The hook bolt SOT101.1 and SOT101.2 are designed for aerial cables.  
The hook is made of hot-dip galvanized steel.



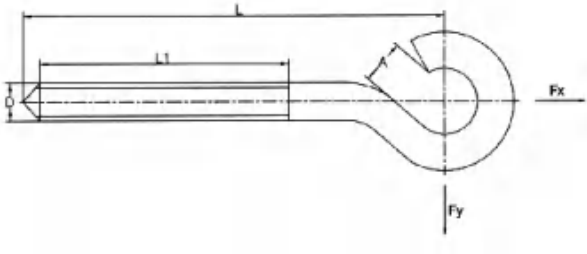
### Product Dimensions

Part N0	Dimension(mm)					Breaking load		Package (pcs)	Gross weight (kg)
	A	L2	L	L1	D	Fx	Fy		
SOT101.1	24	77	243	110	M20	30.6	6.7	100	172
SOT101.2	24	77	303	140	M20	30.6	6.7	100	184

## HOOK, BRACKET, STEEL STRAP AND ACCESSORIES

### SOT16.10

The HEL strain eye bolts are made of hot-dip galvanized steel.

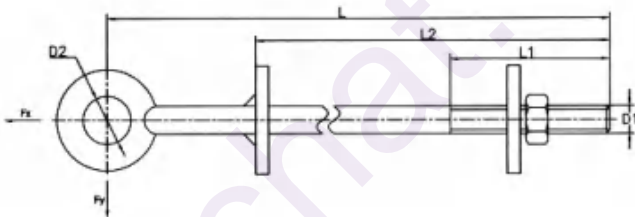


### Product Dimensions

Part NO	Dimension(mm)				Breaking load		Package (pcs)	Gross weight (kg)
	L1	d	A	L	Fx	Fy		
SOT16.10	95	M16	17	170	8.8	6.6	100	41

### HEL5561,5562,5574

The HEL strain eye bolts are made of hot-dip galvanized steel.

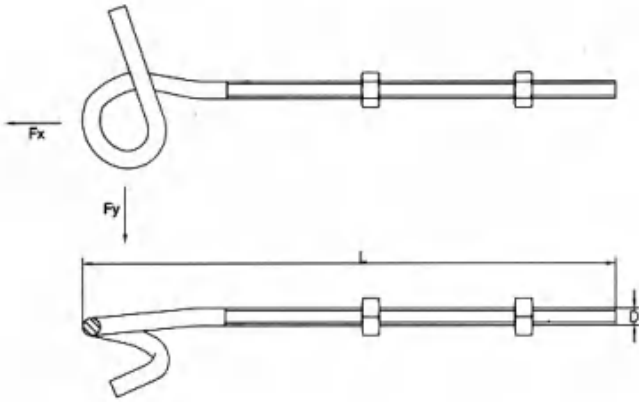


### Product Dimensions

Part NO	Dimension(mm)					Breaking load		Package (pcs)	Gross weight (kg)
	L1	L2	L	D1	D2	Fx	Fy		
HEL5561	80	240	290	M16	22	39.2	6.8	100	89
HEL5562	80	240	340	M16	22	39.2	5	100	96
HEL5574	100	300	400	M20	22	39.2	10	100	149

## HOOK,BRACKET,STEEL STRAP AND ACCESSORIES

### BQC

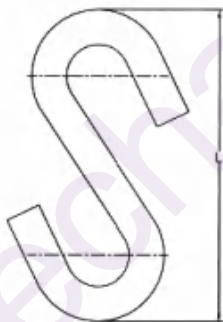


The BQC spiral hook is designed for service clamps. This hook is made of hot-dip galvanized steel. Middle point can be adjusted by 2 free nuts.

### Product Dimensions

Part N0	Dimension(mm)			Breaking load		Package (pcs)	Gross weight (kg)
	L	C	D	Fx	Fy		
BQC 12-55	115	45	M12	2.0	0.4	100	19
BQC 12-250	310	220	M12	2.0	0.4	100	32
BQC 12-300	360	270	M12	2.0	0.4	100	36

### HEL5642



The HEL-5642 weak link hook is used as hangers between the pole support fitting and the anchor or suspension clamp in areas where damage to the LV-ABC line could be expected from falling trees.

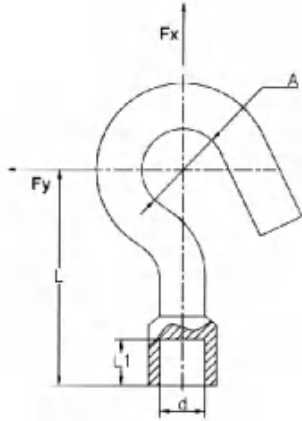
### Product Dimensions

Part N0	Dimension(mm) L	Breaking load	Package (pcs)	Gross weight (kg)
HEL5642	90	6	100	14

## HOOK,BRACKET,STEEL STRAP AND ACCESSORIES

### PD

The PD nut hook is designed for insulated aerial cables or service cables.  
The hook is made of hot-dip galvanized steel.



### Product Dimensions

Part N0	Dimension(mm)				Breaking load		Package (pcs)	Gross weight (kg)
	A	L1	d	L	Fx	Fy		
PD2.2	38	18	M20	76	15.5	4	100	55
PD2.3	38	18	M16	76	12.4	2	100	35

### TB Type Buckle



### LB Type Buckle



### SB Type Buckle



### BB Type Buckle



### Product Dimensions

Part N0	Material	Width		Package (pcs)	Gross weight (kg)
		In	mm		
TB	Stainless steel	1/4	6.4	100	2
LB	201	3/8	9.5	100	2
SB	304	1/2	12.7	100	2
BB	316	3/4	19	100	2

## HOOK,BRACKET,STEEL STRAP AND ACCESSORIES

### Stainless Steel Pole Banding



High tensile strength and quality combined with superior  
Packed in easy to use plastic tote dispensers, available in 4  
Application Tools:RR-T03 color codes based on band widths finish &  
carton box packing alsoavailable

### Banding and Buckle Crimping Tool



Band & Buckle Crimping tool features a spring-loaded gripper lever  
for more efficient strap handling.

Cut-off handle is vinyl coated for easier operation.

Standard Blue coating finish provides superior corrosion resistance and  
enhances life.

### Product Dimensions

Part NO	Symbol/Type	Corrosion (rust) Resistance	Ultimate Tensile Strength N/mm	Extension Capatility Breaking(ductility)	Gross weight (kg)
RB201	Nu1CrMnNi13.5-12-1 Austenitic	(+)	710-950	45%	\$
RB304	Nu4CrNi18-8 Austenitic	(++)	540-750	45%	\$\$
RB316	Nu6CrMoNi18-2-10 Austenitic	(+++)	480-650	45%	\$\$\$
RB430	Nu0Cr17 Ferritic	(+)	450-600	20%	\$

## OPGW FIBER CABLE FITTINGS

### ADSS Cable Fittings Suspension Set

The suspension set is used for the OPGW optic fiber cables.



### Product Dimensions

Part NO	LJG/T1179-1983		Length of cable clamp(mm)		Single vibration damper	Double vibration damper
	Nominal cross-section (mm <sup>2</sup> )	Outer diameter (mm)	Single vibration damper	Double vibration damper		
ADL-95	95	12.48	1020	1350	1.1	2.0
ADL-120	120	14.25	1120	1470	1.4	2.4
ADL-150	150	15.75	1270	1680	1.5	2.4
ADL-185	185	17.50	1380	1830	1.8	3.0
ADL-210	210	18.75	1430	1820	5.9	3.2
ADL-240	240	20.00	1530	1980	2	4.2
ADL-300	300	22.40	1660	2080	3.1	4.8
ADL-400	400	25.90	2040	2740	5.5	8.8
ADL-500	500	29.12	2090	2740	5.9	9.4
ADL-630	630	32.67	2240	2970	8.8	13.6
ADL-800	800	36.90	2240	3050	9.7	15.2

## OPGW FIBER CABLE FITTINGS

### ARC Suspension Clamp



The ARC Suspension Clamp is suitable for Suspension of figure-8 cables in J Hook clamp to prevent the wearing of the cable sheath in the galvanised steel hook. For cables with catenary wires  $\Phi 6$  to 9 mm.

### Product Dimensions

Part NO	Conductor(mm)
ARC	3-9 mm fig-8 copper cable

### E895 Suspension Clamp



The E895 Suspension Clamp is used to fix and keep the tensile state of fiber.

Usually the fiber laying around the electric transmission line (street illuminating circuits, ground electric network) or laying on the building whose space is less than 100m.

It is made of aluminum alloy, galvanized steel and UV-resistant polymeric material.

No special tools are required.

### Product Dimensions

Part NO	Cross section(mm <sup>2</sup> )	Bolt
E895	4-9	2

## OPGW FIBER CABLE FITTINGS

### CSC Curved Suspension Clamp



The CSC Curved suspension clamp is suitable for suspension of copper cables.

It can be installed using either one traversing bolt or a pole banding fixing kit.

The curved grooves improve the cable grip and enable angles up to 25 deg.

### Product Dimensions

Part NO	Conductor(mm)
CSC	4–9 mm fig-8 copper cable

### Dielectric Suspension



The DS dielectric suspension clamp is used for the suspension of ADSS cables at intermediate poles on cable routes with angle <math>< 20^\circ</math> on access networks (spans up to 100 m).

### Product Dimensions

Part NO	Conductor(mm)
DS8	$\Phi$ 8–12
DS12	$\Phi$ 12–16

## OPGW FIBER CABLE FITTINGS

### HD-4 Professional Tension Clamp for Fiber Cable



The HD-4 tension clamp for fiber cable is used to fix and keep the tensile state of fiber.

Usually the fiber laying around the electric transmission line or laying on the building whose space is less than 70m.

The clamp is made of galvanized steel or chrome plated element.

No special tools are required

### Product Dimensions

Part NO	Work Loading	Size
HD-4	2KN	6x11, 16x16x70

### Uross-arm

The Cross-arms are suitable for Installation of several parallel lines on the pole.

Material : hot dip galvanized steel.



### Product Dimensions

Part NO	Conductor(mm)
5/14	11 holes/ 440 mm
5/15	13 holes/ 820 mm
5/19	15 holes/ 1090 mm

## OPGW FIBER CABLE FITTINGS

### Multiple drop wire cross-arm brackets

Allows multiple drop wire dead-ends in all directions on wood or metal poles.

Finish: Hot dip galvanised steel.



### Product Dimensions

Part NO	Width(mm)
CT8	325

### Concrete pole steel plate



Installation of cross-arm 5/19 on square concrete poles and of suspension 30/34 on cross-arm.

Installed on poles by two 20 mm bands and on cross-arm by 2 bolts 1112.

### Product Dimensions

Part NO	Designation
5/39	Pole steel plate

## OPGW FIBER CABLE FITTINGS

### BWC Bare Wire Clamps for Steel Wires



Dead-ending of stripped steel messengers, bare catenary wires and stay wires.

The conical body includes a pair of jaws and springs anchoring system inside.

The stay wire or the bare catenary wire is inserted in the clamp body through its smallest opening.

Pulling the wire in the opposite direction automatically jams the latter in the body.

Insulated models equipped with flexible bails are also available on request.

### Product Dimensions

Part N0	Conductor(mm)	Bail
BWC25	2.3 – 2.7	rigid bail
BWC47	4.4 – 5.0	rigid bail
BWC63Y	6.0 – 6.6	rigid bail
BWC25F	2.3 – 2.7	flexible bail
BWC47F	4.4 – 5.0	flexible bail
BWC63F	6.0 – 6.6	flexible bail

## OPGW FIBER CABLE FITTINGS

### Dead-ending Of Round Adss Fiber Optic Cables

Hot dip galvanized spiral dead-ends without armored rods for a direct installation on the cable for works on short spans (70m max.);

Hot dip galvanized armored rods for a direct protection on the cable and a spiral dead-end for anchoring cables on medium spans (150 m max.) and long spans (350 m max.).

In addition to these armored rods and this dead-end, various accessories should be ordered separately to complete the pole configuration (thimble, turnbuckle, bracket, etc.).



### Product Dimensions

Part N0	Designation	
NUAD 1000	Hot dip galvanised steel dead-end	Φ 10.0 to 11.0 mm green
NUAD 1150		Φ 11.5 to 12.5 mm red
NUAD 1300		Φ 13.0 to 14.0 mm blue
NUAD 1450		Φ 14.5 to 15.5 mm black
NUAD 1600		Φ 16.0 to 17.4 mm brown
NUAD 1750		Φ 17.5 to 19.0 mm orange
NUADAR 1050		Hot dip galvanised steel dead-end with armored rod
NUADAR 1150	Φ 11.5 to 12.6 mm yellow	
NUADAR 1250	Φ 12.5 to 13.6 mm black	
NUADAR1290	Φ 12.9 to 14.0 mm green	
NUADAR1350	Φ 13.5 to 14.5 mm blue	
NUAD AR 1420	Φ 14.2 to 15.2 mm red	
NUADAR1530	Φ 15.3 to 16.6 mm brown	
NUADAR1620-22	Hot dip galvanised steel dead-end with long armored rod	Φ 16.2 mm RTS 22 kN green
NUAD AR1680-17		Φ 16.8 mm RTS 17 kN white
NUADAR1810-27		Φ 18.1 mm RTS 27 kN blue
NUADAR 1840-17		Φ 18.4 mm RTS 17 kN yellow
NUADAR 2160-17		Φ 21.6 mm RTS 17 kN black